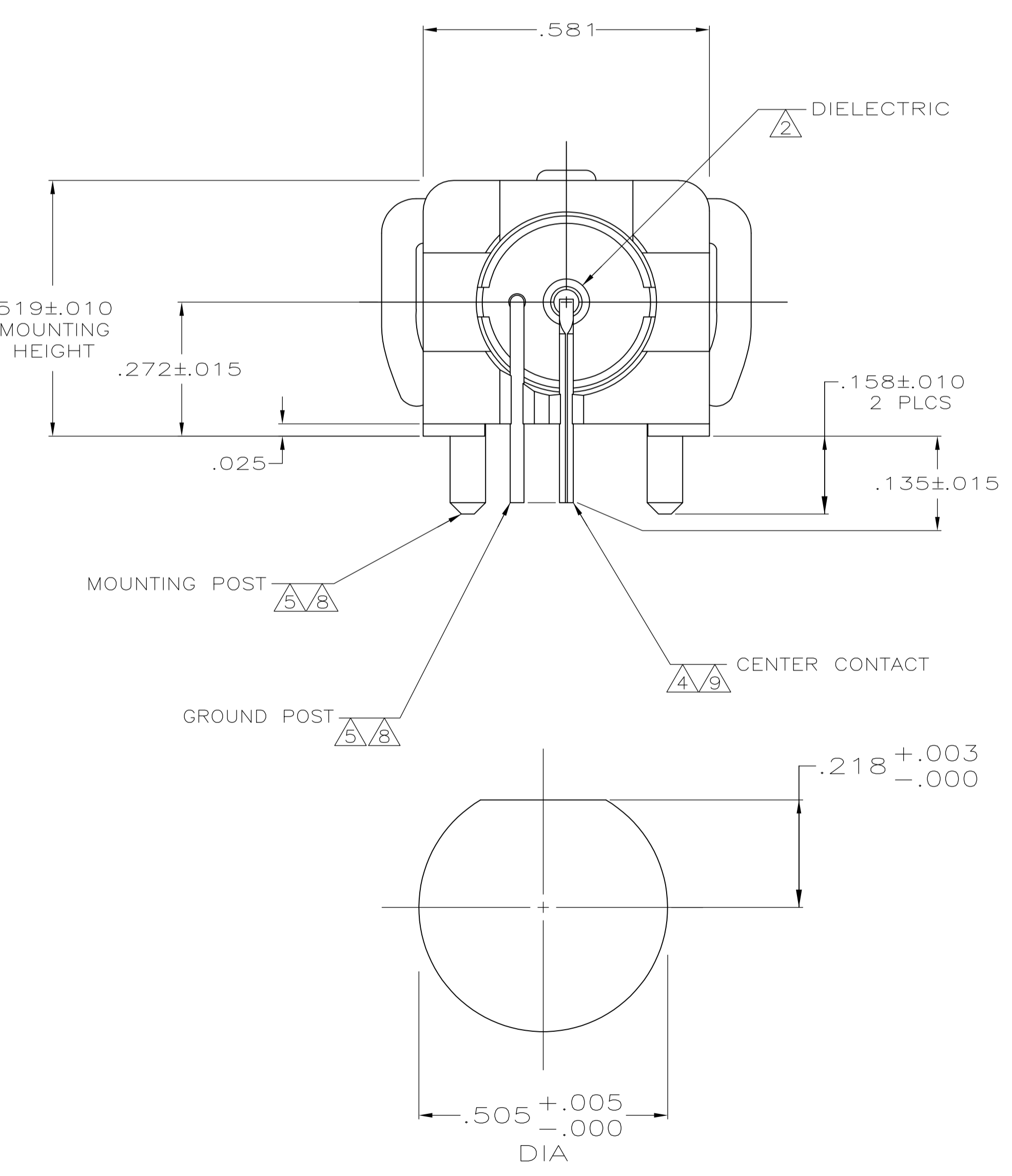
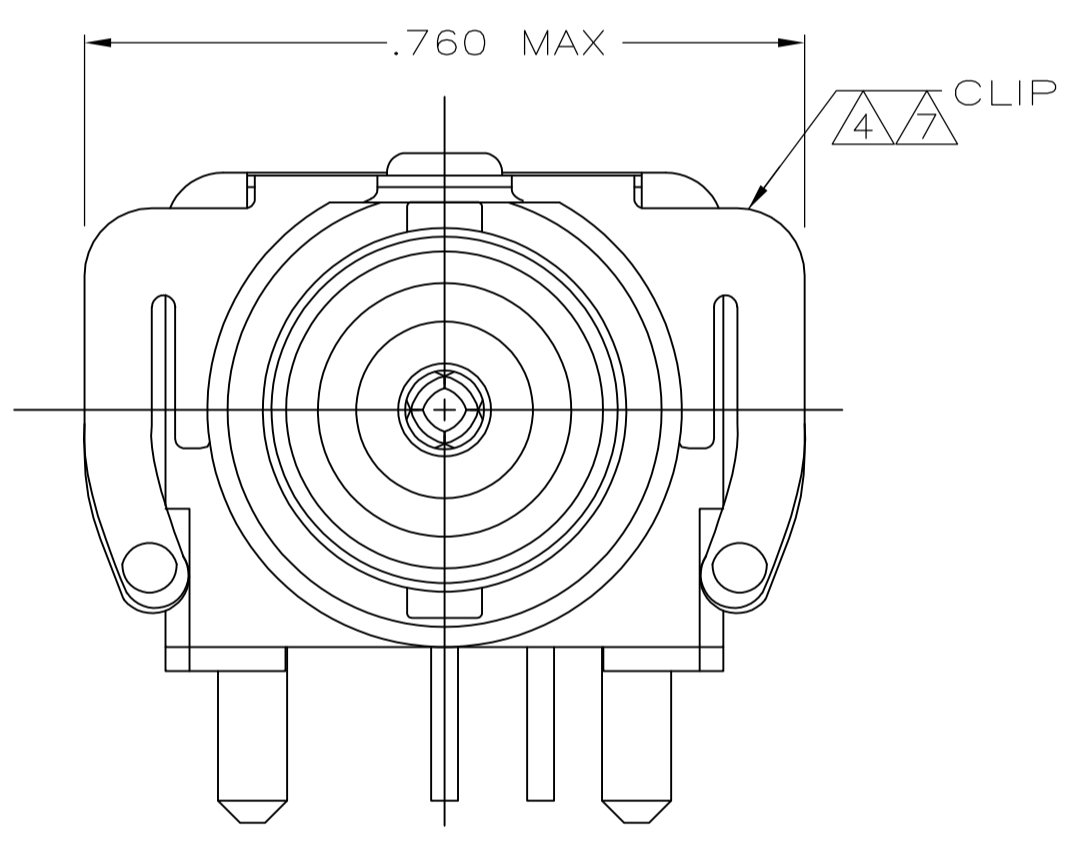
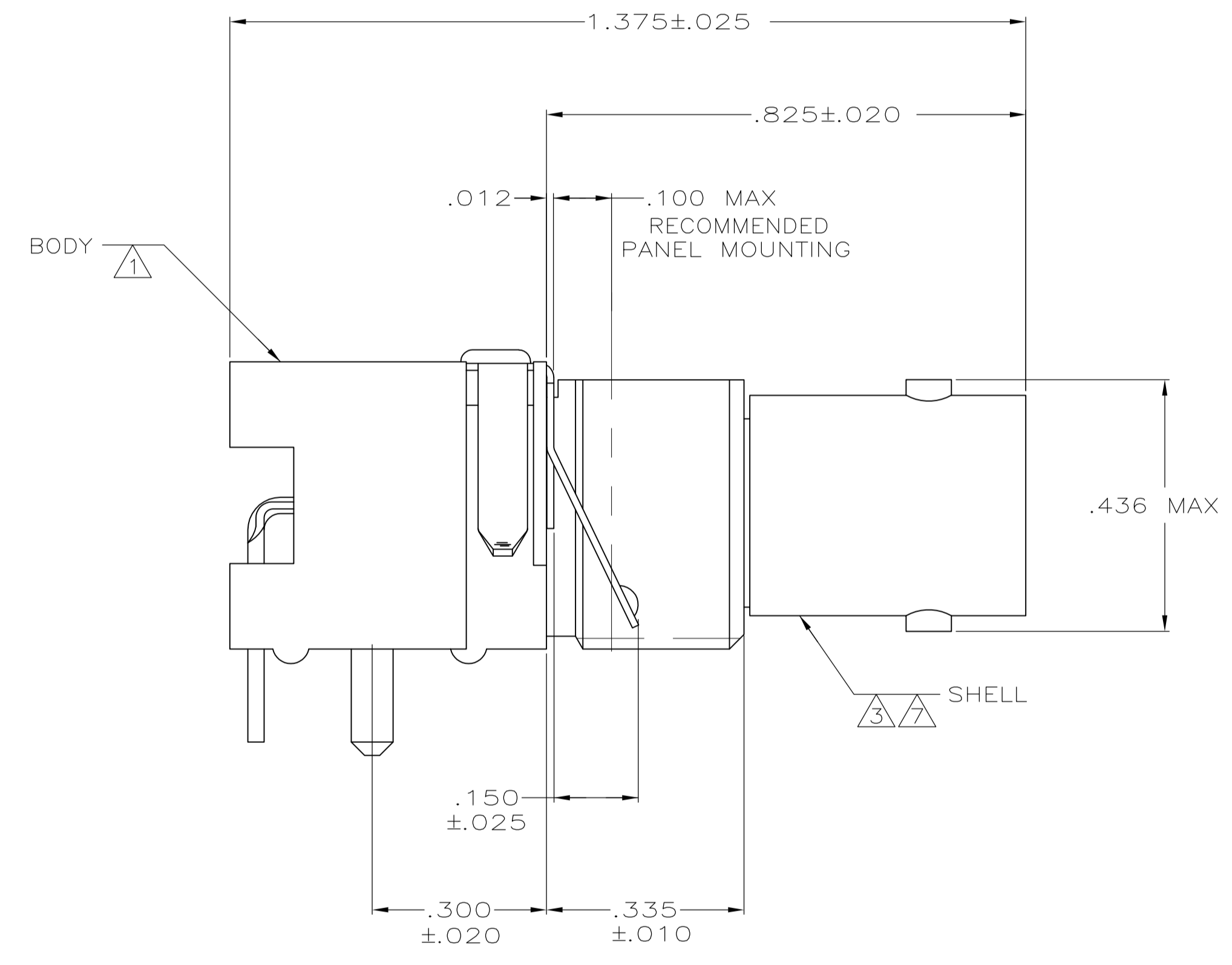
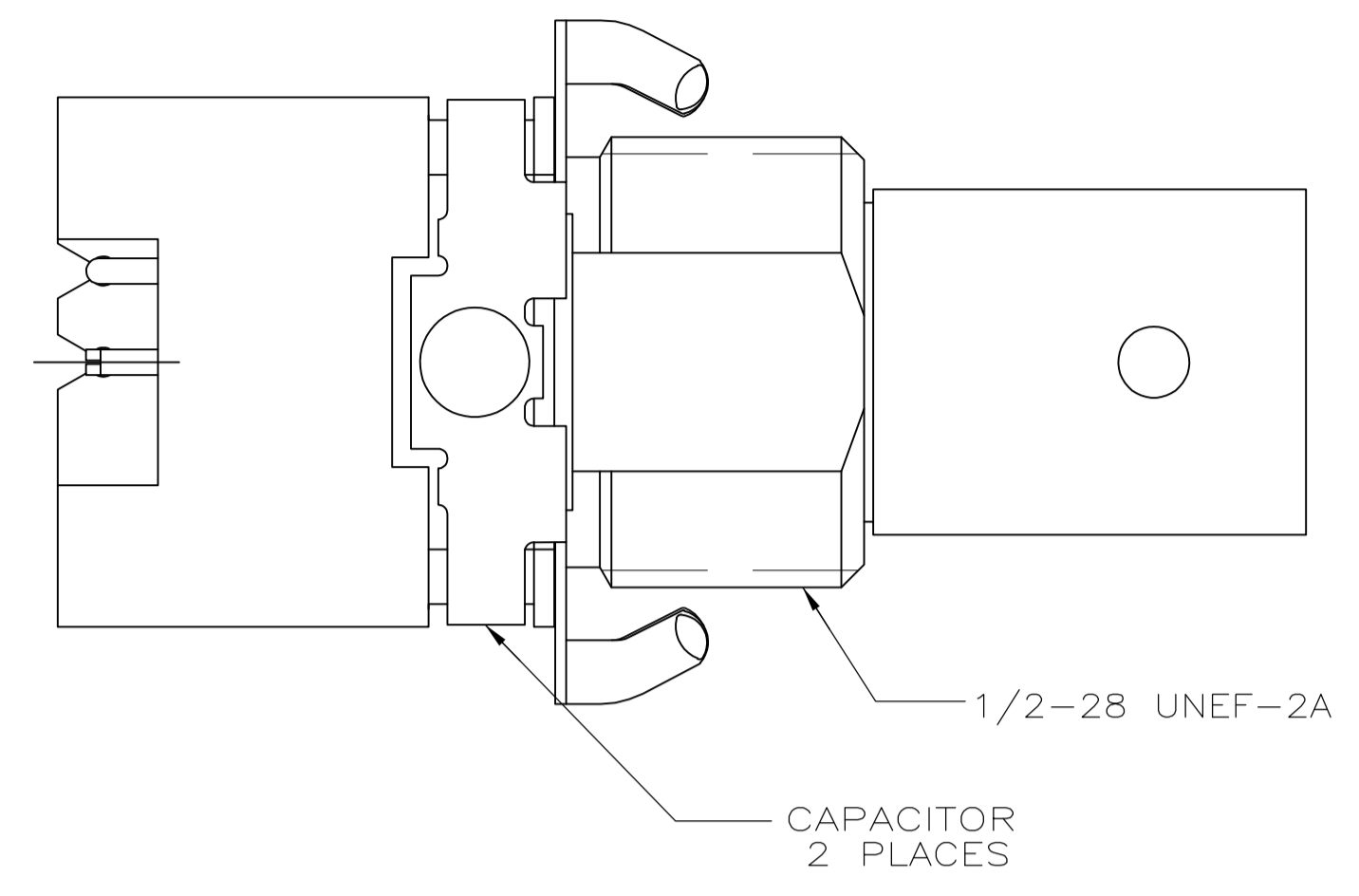


P.C.B. CONFIGURATION
SCALE=10:1



RECOMMENDED
PANEL CUTOUT



- ① POLYESTER, PBT, BLACK, PER MIL-M-24519
- ② POLYMETHYLPENTENE, GENERAL PURPOSE
- ③ ZINC PER QQ-Z-363
- ④ PHOSPHOR BRONZE PER QQ-B-750
- ⑤ BRASS PER ASTM-B-16
- ⑥ BRASS PER ASTM-B-453
- ⑦ NICKEL PLATE PER QQ-N-290
- ⑧ TIN PLATE PER ASTM-B-545
- ⑨ SELECTIVELY GOLD PLATED ON INTERFACE AREA PER ASTM-B-488, .000030 THK, TIN PLATE ON SOLDER TAIL PER ASTM-B-545, ALL OVER NICKEL PL PER QQ-N-290

9400 pf, 1500 VDC	5414094-2
CAPACITANCE & VOLTAGE	PART NUMBER

THIS DRAWING IS A CONTROLLED DOCUMENT.		DIMENSIONS: INCHES TOLERANCES UNLESS OTHERWISE SPECIFIED: 0 PLC ± - 1 PLC ± - 2 PLC ± - 3 PLC ± .008 4 PLC ± - ANGLES ± -		THIS DRAWING IS A CONTROLLED DOCUMENT. DIM: J. ALCORTA - 26APR2005 CHK: J. HAVENER - 26APR2005 APVD: J. LIPPERT - 26APR2005 NAME: J. LIPPERT PRODUCT SPEC: 108-1269 APPLICATION SPEC:		Tyco Electronics Corporation Harrisburg, PA 17105-3608 JACK, DECOUPLER, PCB, LOW PROFILE, 75 OHM, RIGHT ANGLE, SERIES BNC	
MATERIAL: THRU	FINISH: ⑧/⑨/⑩	WEIGHT: -	SIZE: A1	CAGE CODE: 00779	DRAWING NO: 5414094	RESTRICTED TO: -	
CUSTOMER DRAWING		SCALE: 5:1	SHEET: 1	OF: 1	REV: B		